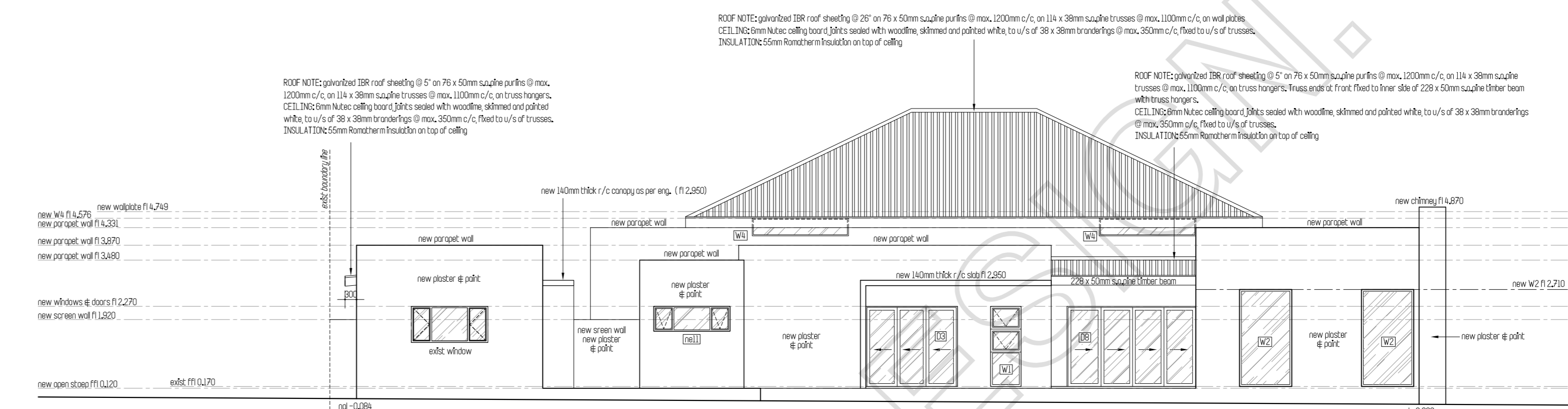
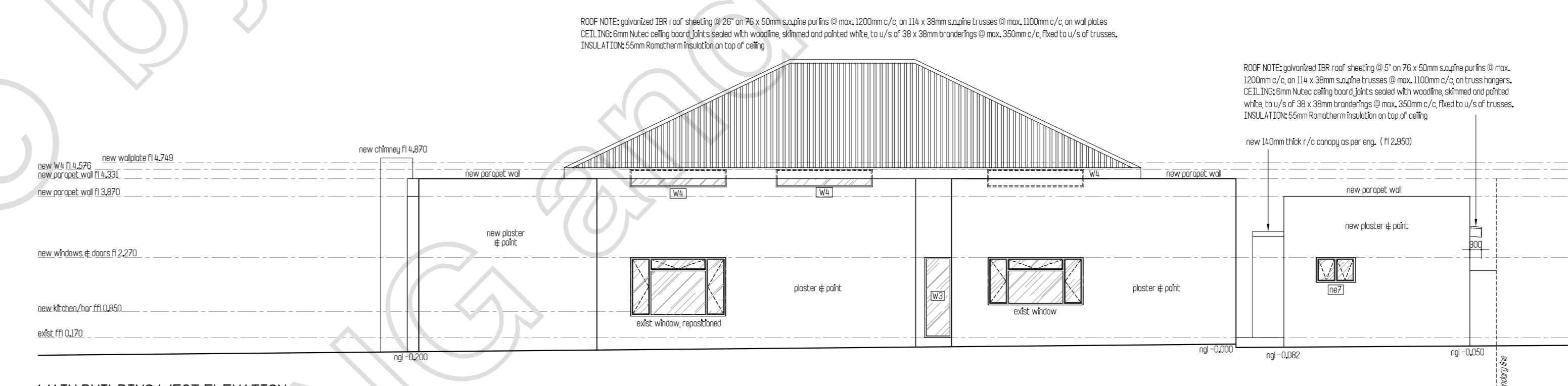


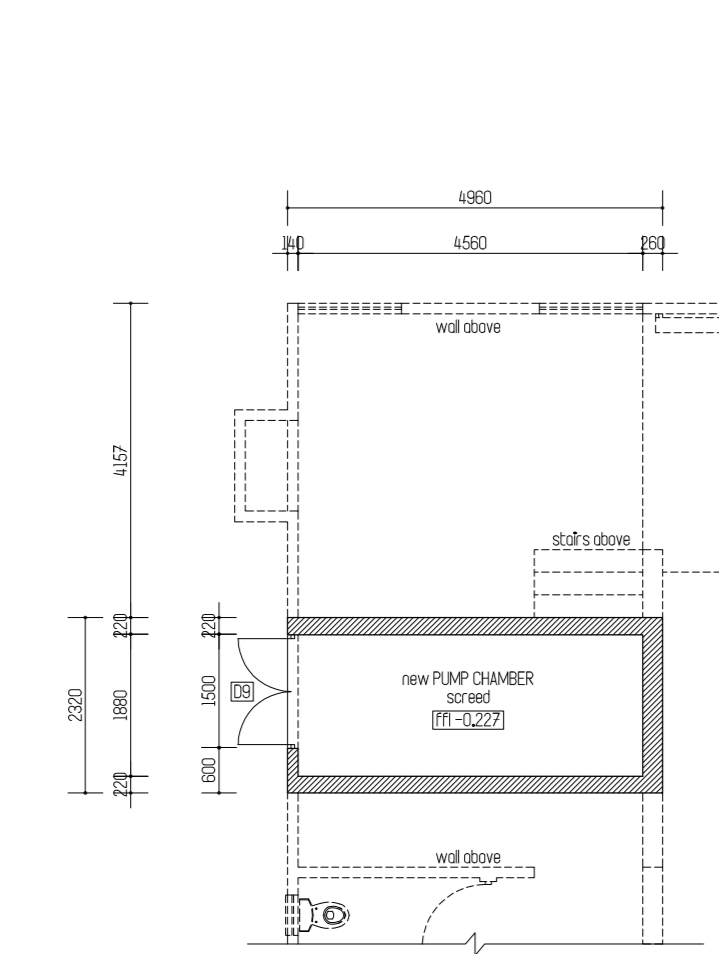
MAIN BUILDING and OUTBUILDING ROOF PLAN
SCALE 1:100



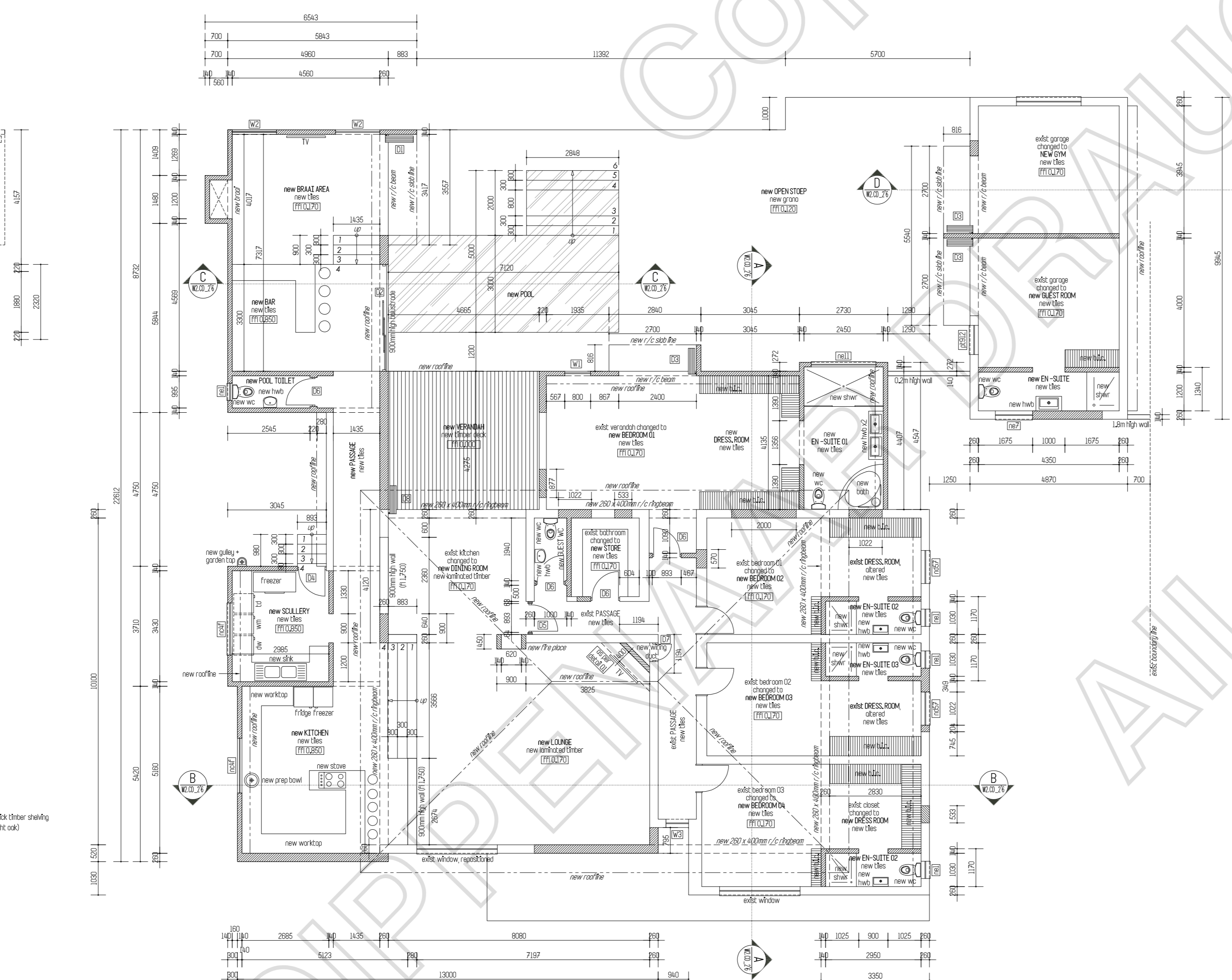
MAIN BUILDING EAST ELEVATION
SCALE 1:100



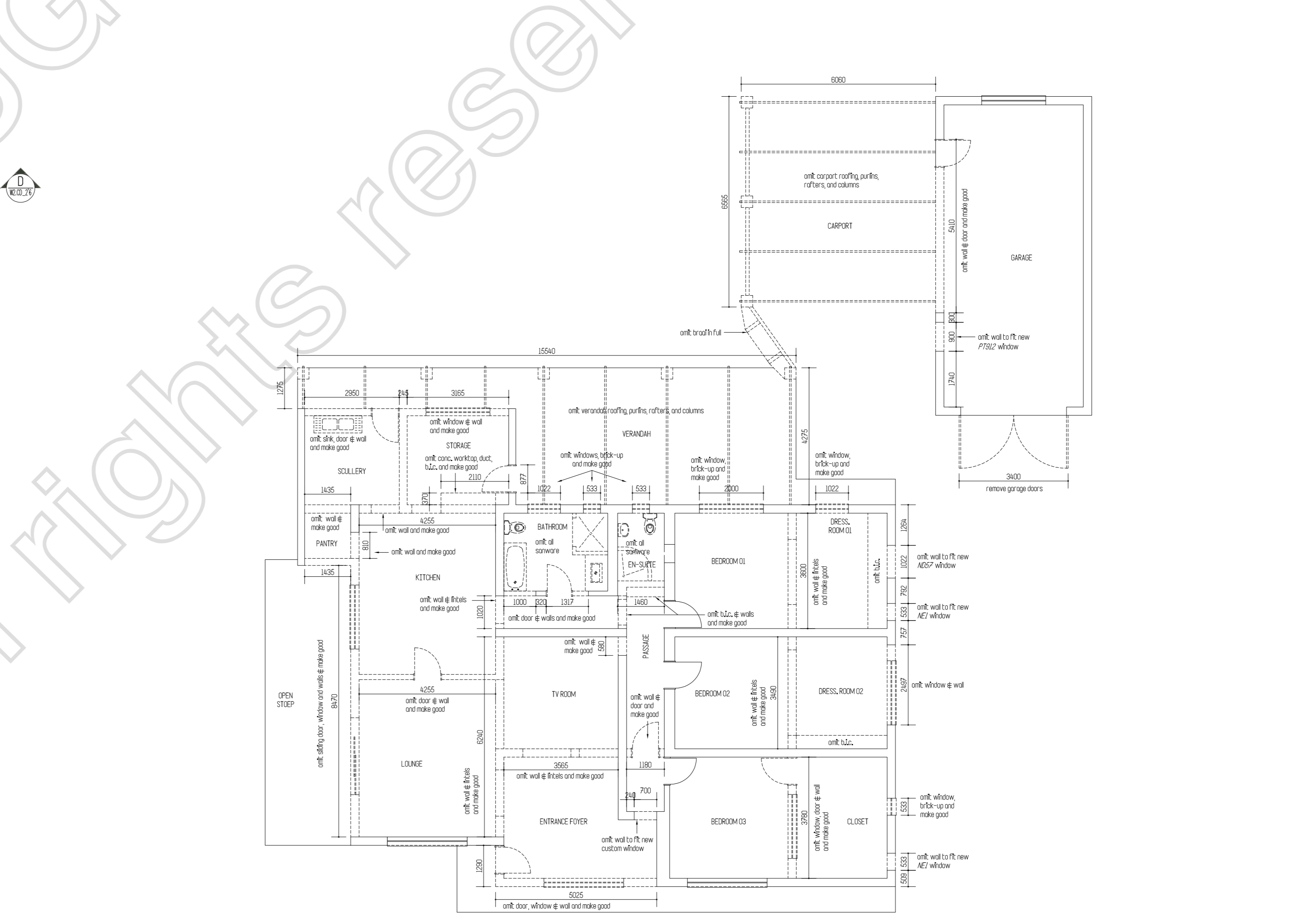
MAIN BUILDING WEST ELEVATION
SCALE 1:100



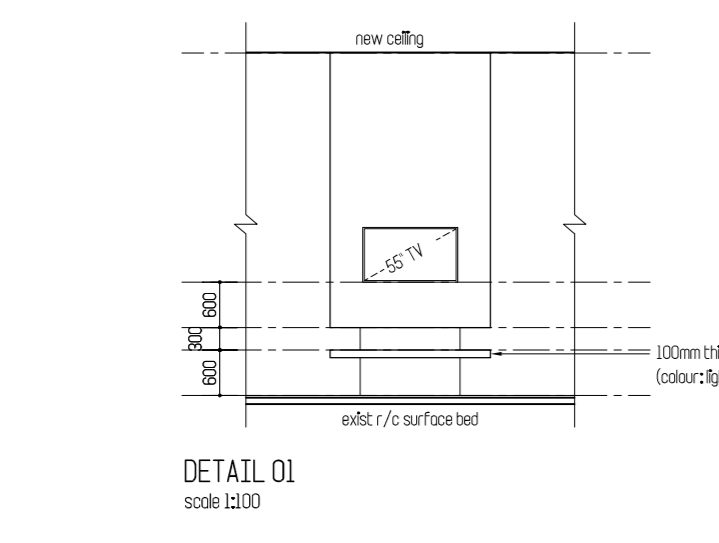
PUMP CHAMBER FLOOR PLAN
SCALE 1:100



MAIN BUILDING and OUTBUILDING GROUND STOREY PLAN
SCALE 1:100



MAIN BUILDING and OUTBUILDING DEMOLITION PLAN
SCALE 1:100



DETAIL 01
SCALE 1:10